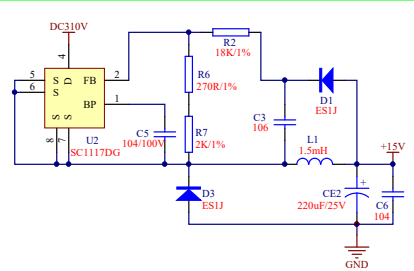
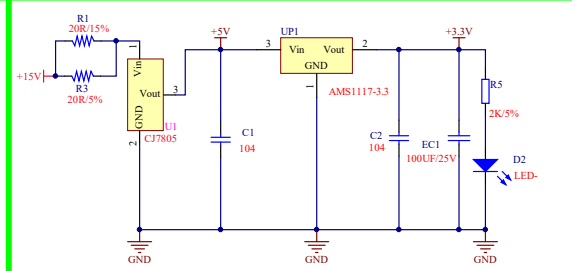


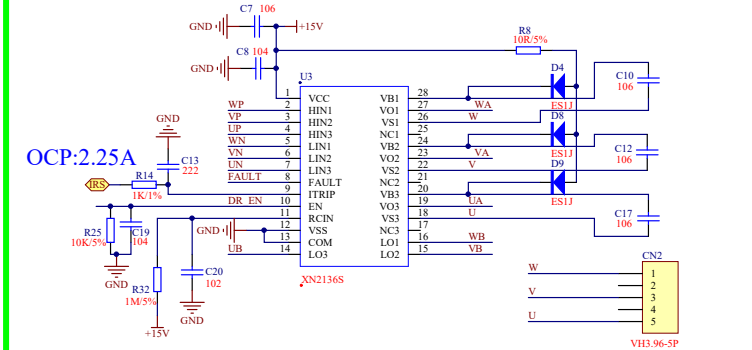
EMI Circuit



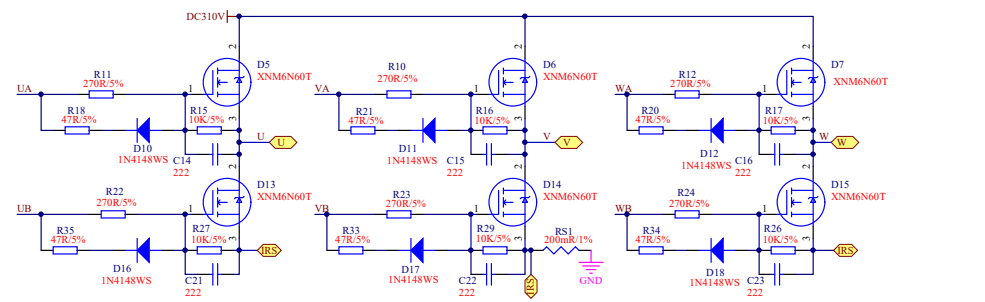
15V POWER SUPPLY



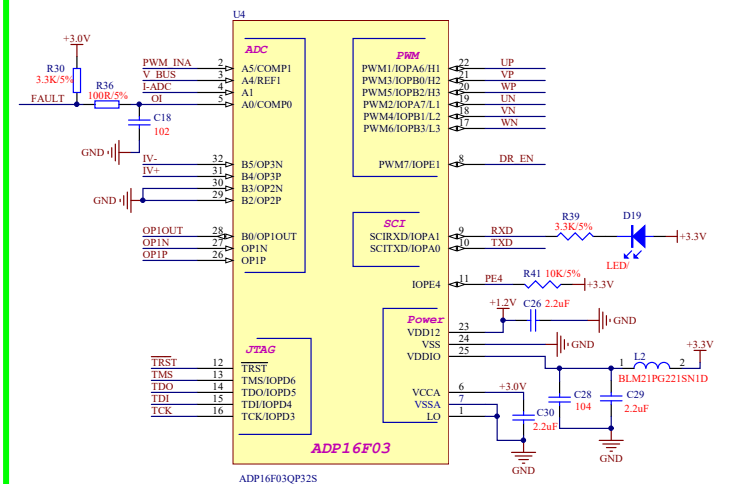
3.3V Power Supply



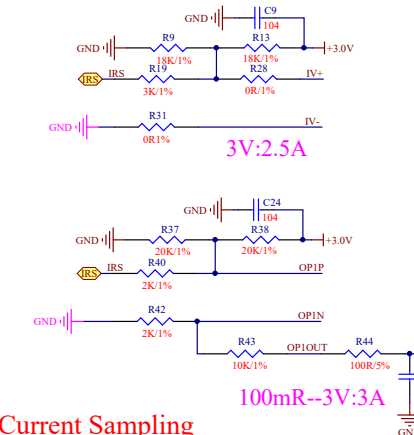
GATES DRIVE



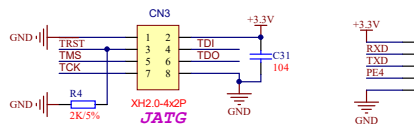
INVERTER CIRCUIT



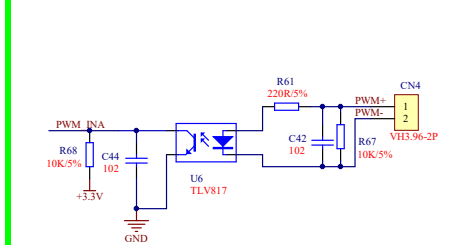
MCU CIRCUIT



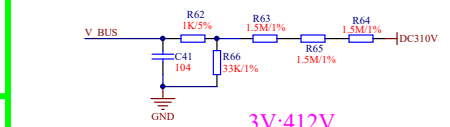
Current Sampling



JTAG & SCI



PWM INPUT



Voltage Detection

Title		
Size	Number	Revision
A2		
Date:	2023/10/21	Sheet of
File:	E:\ADP16F03-32-Refrigerator	10-20 SchDoc